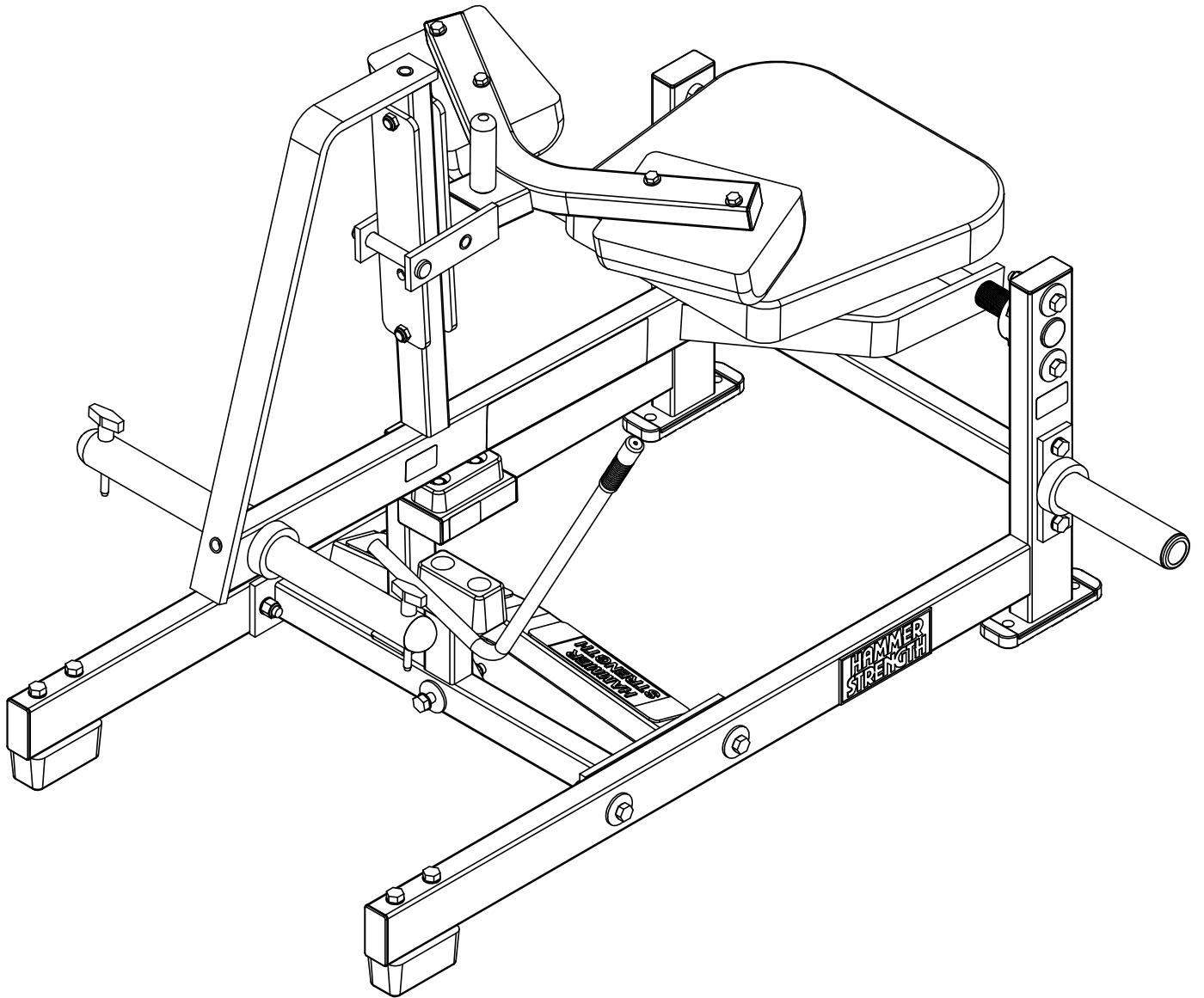


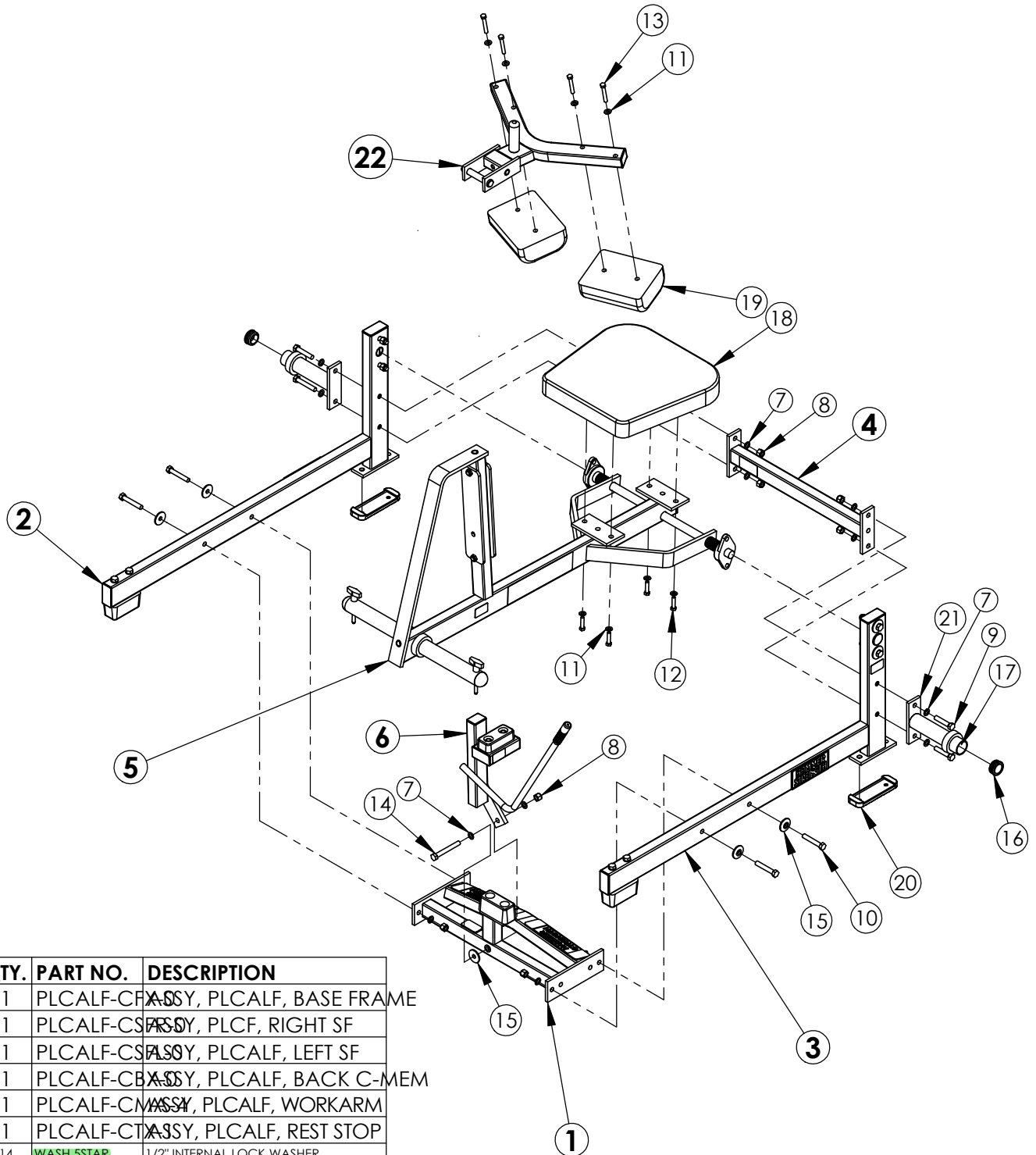
HAMMER STRENGTH EQUIPMENT
PLCALF-B05, PLATE LOADED SEATED CALF

REV: B05



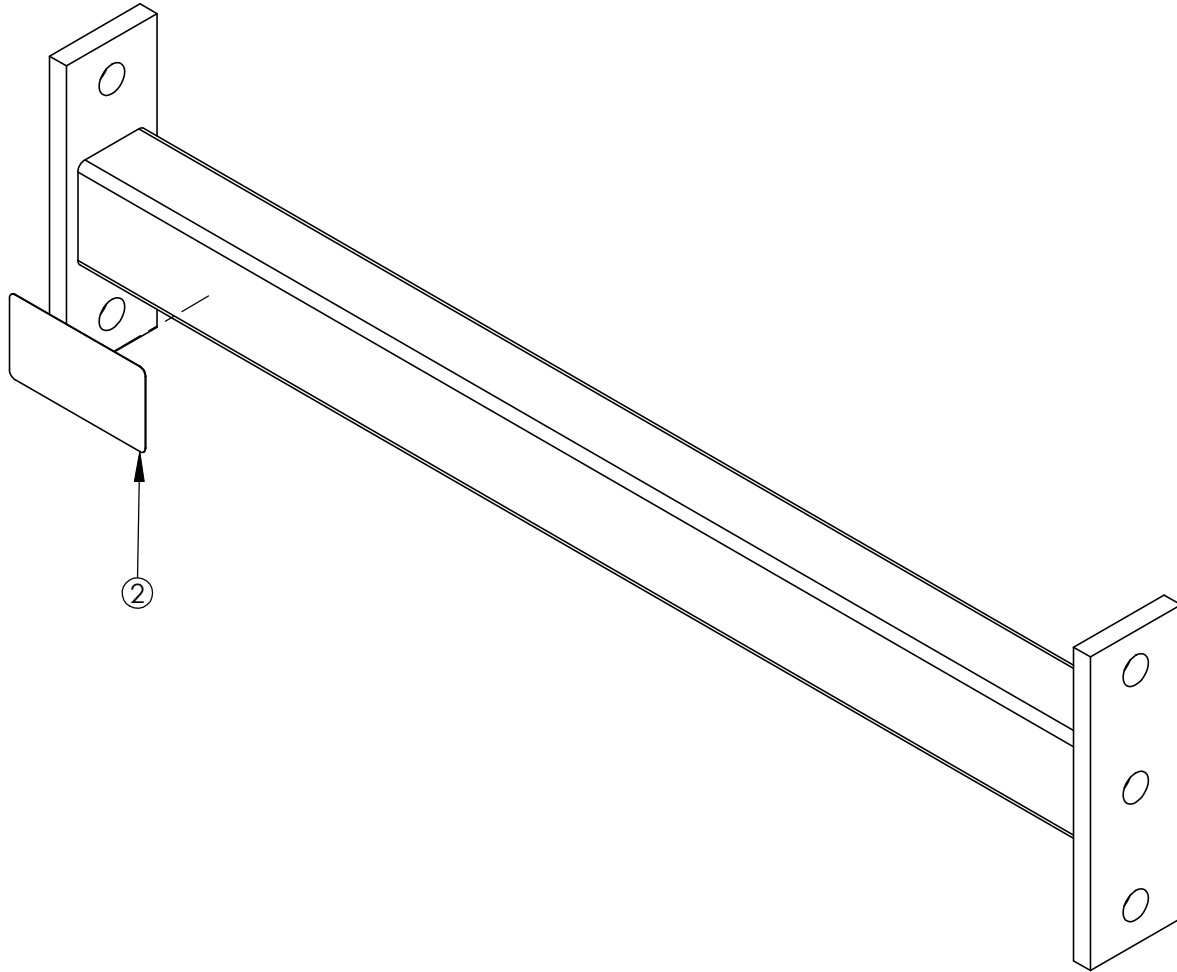
WEIGHT = 157.3 lb
LENGTH = 50"
WIDTH = 30"
HEIGHT = 55"

HAMMER STRENGTH EQUIPMENT



ITEM NO.	QTY.	PART NO.	DESCRIPTION
1	1	PLCALF-CF	ASSY, PLCALF, BASE FRAME
2	1	PLCALF-CS	ASSY, PLCF, RIGHT SF
3	1	PLCALF-CS	ASSY, PLCALF, LEFT SF
4	1	PLCALF-CB	ASSY, PLCALF, BACK C-MEM
5	1	PLCALF-CM	ASSY, PLCALF, WORKARM
6	1	PLCALF-CT	ASSY, PLCALF, REST STOP
7	14	WASH.5STAR	1/2" INTERNAL LOCK WASHER
8	9	NUT.5LOCK	1/2 DIA THICK LOCK NUT
9	3	HHB.5X2.5	1/2 X 2 1/2 BOLT
10	5	HHB.5X3	1/2 X 3 BOLT
11	8	WASH.375SAE	3/8" SAE FLAT WASHER
12	4	HHB.375X1.5	STEEL BOLT 3/8 X 1.5
13	4	HHB.375X2.5	STEEL BOLT 3/8 X 2.5
14	1	HHB.5X4Bro	1/2 X 4 BOLT BRONZE
15	5	H-BACK-WASH	BACKING WASHER
16	2	H-RUBCAP2	PLUG, HAMMER WEIGHT HORN
17	2	H-RUBRNG	MM5 RING
18	1	U-16-11H	16X11 PAD
19	2	U-8-4.5	8X4.5 PAD
20	2	MM-8	2 X 6 FLANGE RUBBER SLIPPER
21	2	H-HORN	WLDMT, WEIGHT HORN
22	1	CST4-C01	ASSY, STD SEAT 4

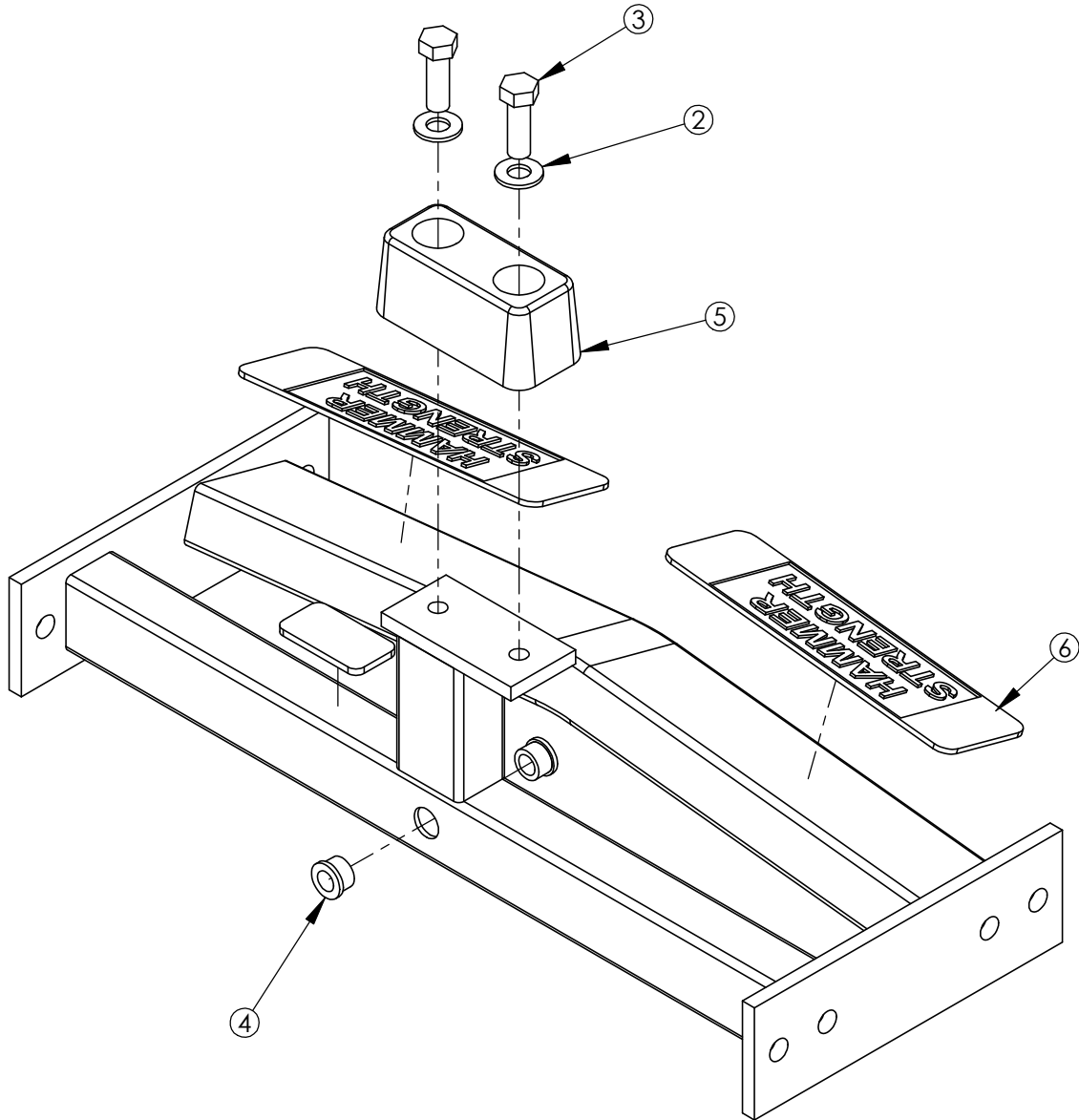
HAMMER STRENGTH EQUIPMENT
PLCALF-CBX-0, ASSY, PLCALF, BACK C-MEM



WEIGHT = 8 lb
 LENGTH = 23"
 WIDTH = 6"
 HEIGHT = 2"

ITEM NO.	QTY.	PART NO.	DESCRIPTION
2	1	PATENT	PATENT DECAL
1	1	PLCALF-CBX-0	WELDMT, PLCF, BACK C-MEM

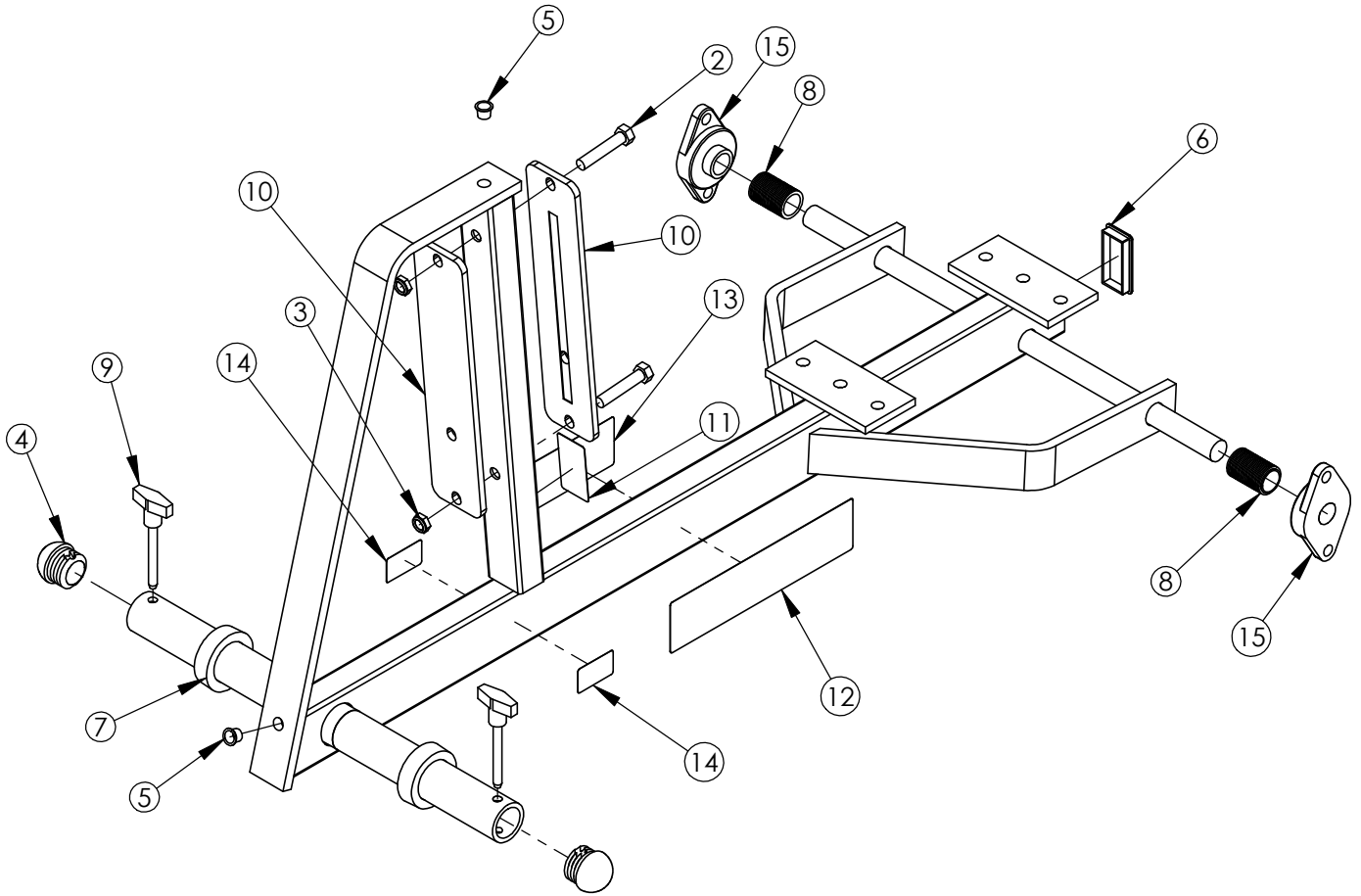
**HAMMER STRENGTH EQUIPMENT
PLCALF-CFX-0, ASSY, PLCALF, BASE FRAME**



ITEM NO.	QTY.	PART NO.	DESCRIPTION
2	2	WASH.5SAE	1/2" SAE FLAT WASHER
3	2	HHB.5X1.5	BOLT, HEX HEAD 1/2 X 1-1/2
4	2	STEELBUSH	3/4 I.D. FLANGED DRILL BUSHING
5	1	H-BUMP-MED	MM2 MEDIUM
6	2	H-NONSKID 3X9	PLASTIC NON SKID STRIP 3 X 9
7	1	H-PLATE-G1	SMALL PLATE GUARD

WEIGHT = 21 lb
 LENGTH = 23"
 WIDTH = 9 1/2"
 HEIGHT = 8 1/2"

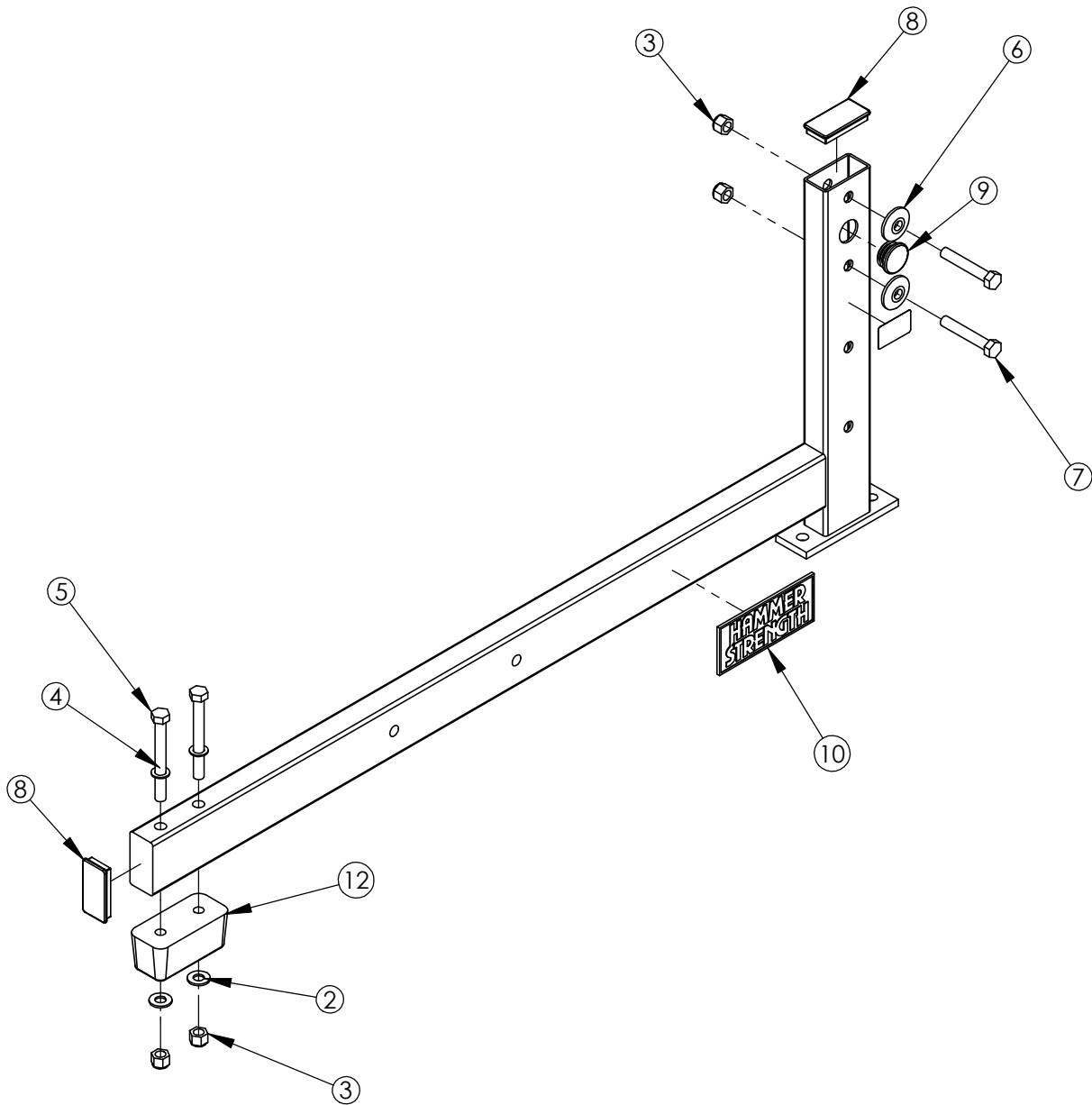
**HAMMER STRENGTH EQUIPMENT
PLCALF-CMA-4, ASSY, PLCALF, WORKARM**



ITEM NO.	QTY.	PART NO.	DESCRIPTION
2	2	HHB.5X2.5	1/2 X 2 1/2 BOLT
3	2	NUT.5JAMLOCK	1/2 THIN LOCK NUT
4	2	RUBCAP1-2	RUBBER CAP #1
5	2	H-HPLUG (REG)	9/16IN HOLE PLUG
6	1	RC1530-1Q1	CAP:1-1/2 X 3 RECTANGLE PLUG
7	2	H-RUBRNG	MM5 RING
8	2	ACCORDIAN	SHAFT GUARD
9	2	SELECTOR PIN-3	SELECTOR PIN 3 IN.
10	2	H-SEATRCKS-N	PLASTIC SEAT GUIDES(PP229)NEW)
11	1	SERIAL NUMBER	SERIAL NUMBER
12	1	SEATED CALF (IDSC)	PRODUCT DECAL
13	1	WARNING LARGE-H	LARGE WARNING HORIZONTAL
14	2	STAY CLEAR	STAY CLEAR DECAL
15	2	H-BEAR-SML	SMALL BEARING

WEIGHT = 54.9 lb
 LENGTH = 47 1/2"
 WIDTH = 24 1/2"
 HEIGHT = 25"

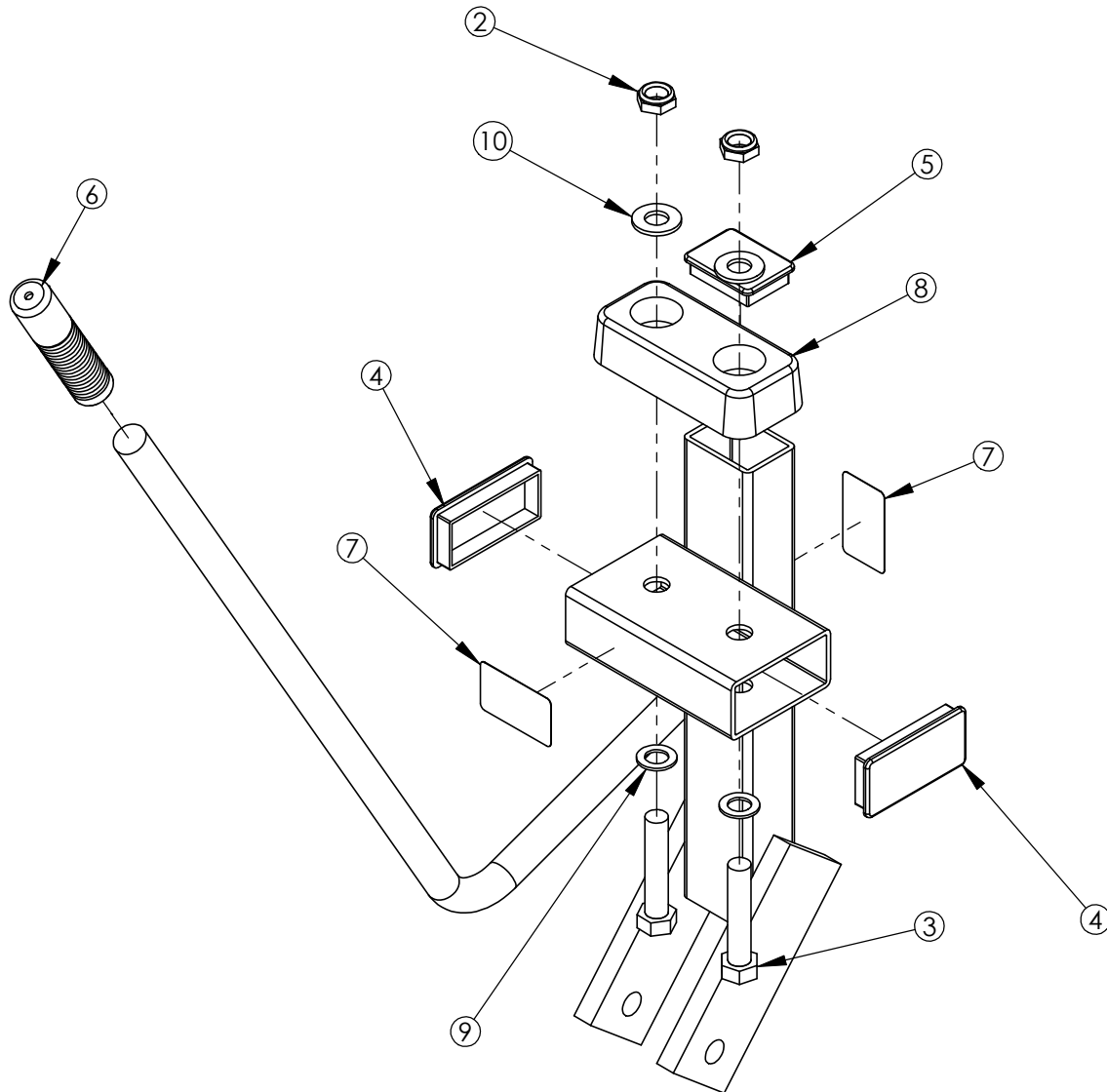
HAMMER STRENGTH EQUIPMENT
PLCALF-CSFL-0, ASSY, PLCALF, LEFT SF



ITEM NO.	QTY.	PART NO.	DESCRIPTION
2	2	WASH.5SAE	1/2" SAE FLAT WASHER
3	4	NUT.5LOCK	1/2 DIA THICK LOCK NUT
4	2	WASH.5STAR	1/2" INTERNAL LOCK WASHER
5	2	HHB.5X4.5	1/2 X 4 1/2 BOLT
6	2	H-BACK-WASH	BACKING WASHER
7	2	HHB.5X3	1/2 X 3 BOLT
8	2	RC1530-1Q1	CAP:1-1/2 X 3 RECTANGLE PLUG
9	1	H-LOCK-PLUG(SMALL)	SMALL LOCKING PLUG
10	1	H-NAME PLATE	NAMEPLATE (45156-P)
11	1	STAY CLEAR	STAY CLEAR DECAL
12	1	H-BUMP-MED	MM2 MEDIUM

WEIGHT = 22 lb
 LENGTH = 48 5/8"
 WIDTH = 3 1/8"
 HEIGHT = 20"

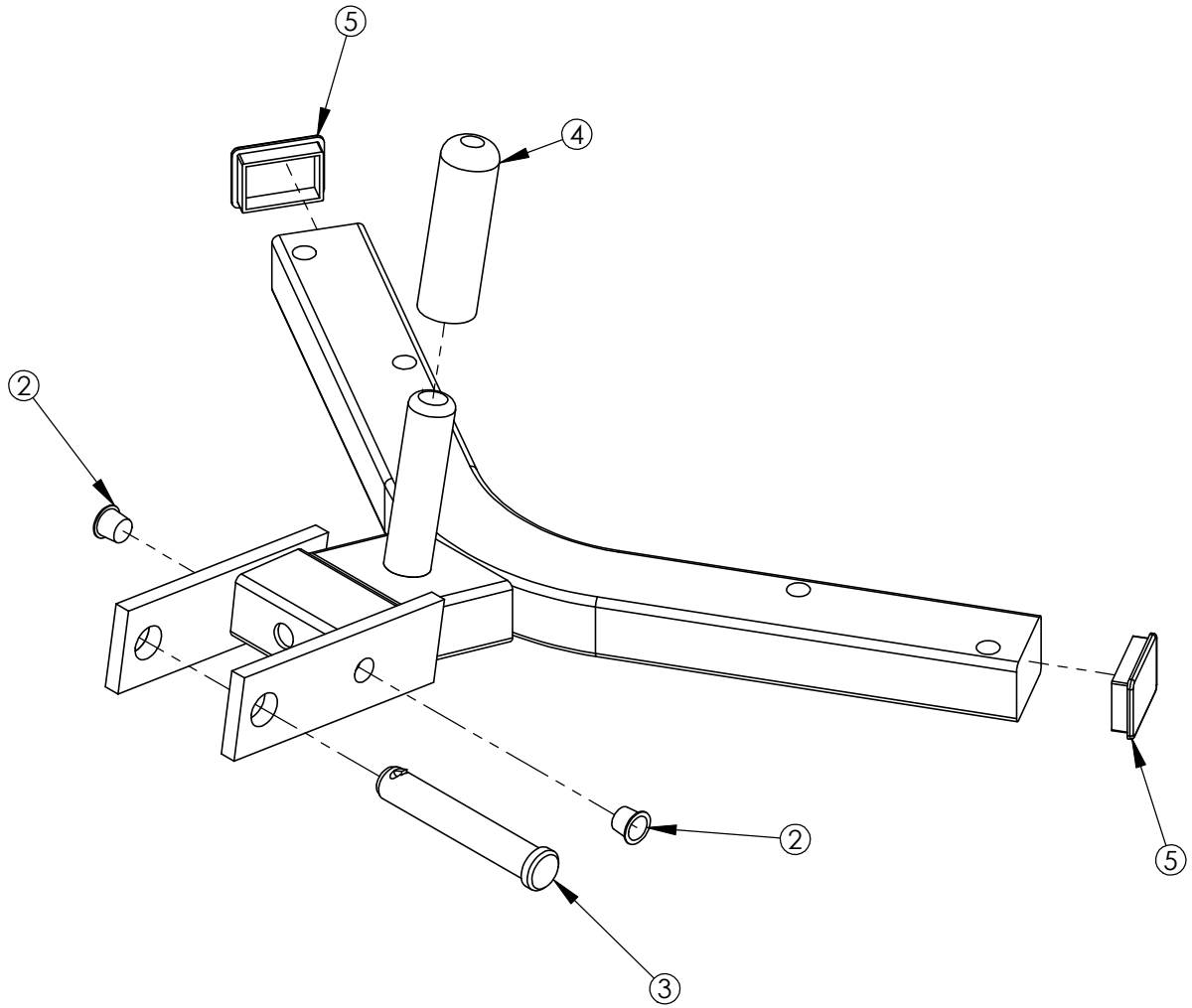
**HAMMER STRENGTH EQUIPMENT
PLCALF-CTX-1, ASSY, PLCALF, REST STOP**



ITEM NO.	QTY.	PART NO.	DESCRIPTION
2	2	NUT.5JAMLOCK	1/2 THIN LOCK NUT
3	2	HHB.5X2.5	1/2 X 2 1/2 BOLT
4	2	RC1530-1Q1	CAP:1-1/2 X 3 RECTANGLE PLUG
5	1	RC1520-1Q1	CAP:1-1/2 X 2 RECTANGLE PLUG
6	1	H-GRIP-75	STANDARD 3/4" BICYCLE GRIP
7	2	STAY CLEAR	STAY CLEAR DECAL
8	1	H-BUMP-SML	SMALL BUMPER (VEN# MM3)
9	2	WASH.5STAR	1/2" INTERNAL LOCK WASHER
10	2	WASH.5SAE	1/2" SAE FLAT WASHER

WEIGHT = 13 lb
 LENGTH = 30"
 WIDTH = 12 1/4"
 HEIGHT = 5 1/2"

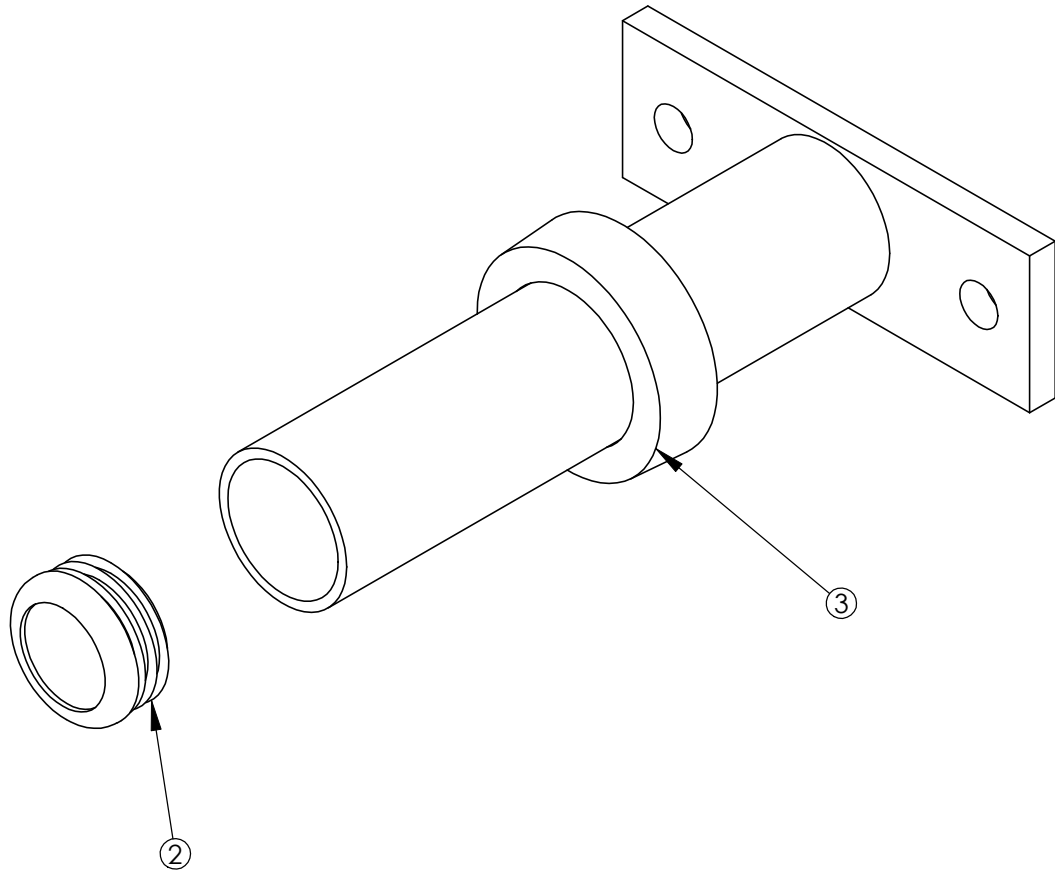
HAMMER STRENGTH EQUIPMENT
CST4-C01, ASSY, STD SEAT 4



ITEM NO.	QTY.	PART NO.	DESCRIPTION
2	2	H-PLUG (REG)	9/16IN HOLE PLUG
3	1	STD SEAT PIN	STD SEAT PIN
4	1	H-GRIP	HANDLE GRIPS (.938X16)
5	2	RC1520-1Q1	CAP:1-1/2 X 2 RECTANGLE PLUG

WEIGHT = 11 lb
 LENGTH = 16"
 WIDTH = 22 1/4"
 HEIGHT = 6"

HAMMER STRENGTH EQUIPMENT
H-HORN-ASSY, ASSY, WEIGHT HORN



WEIGHT = 3 1/4 lb
 LENGTH = 8 5/8"
 WIDTH = 6"
 HEIGHT = 3"

ITEM NO.	QTY.	PART NO.	DESCRIPTION
2	1	8078001	CAP, END 1.75 DIA RD 14-20 GA
3	1	H-RUBRNG	MM5 RING